

## Model WLFN2 Series

Specially designed for protecting cranes from overload and for measuring the tension of wireropes.(500Kg to 10t)

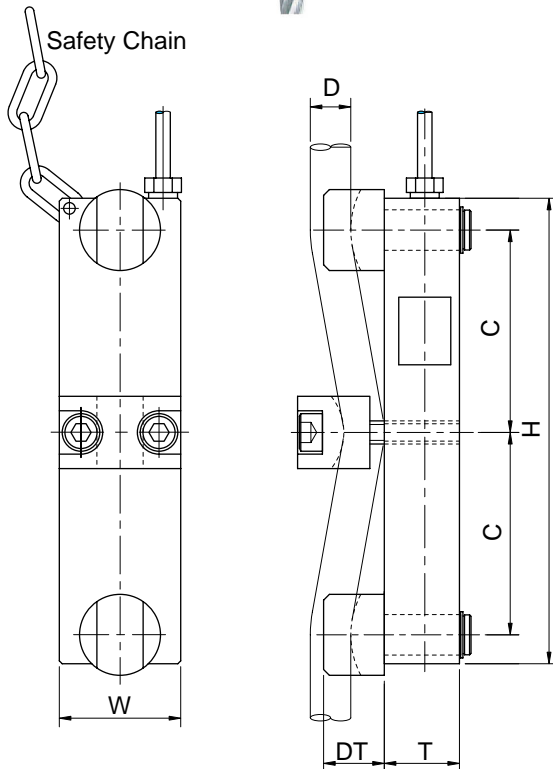


In many industrial applications the tension in wire rope needs to be carefully and continuously monitored.

usually a load cells placed in series with the rope, either at a point along its length or more commonly between the end of the rope and the fixture. The problem is that such a load cell is best suited to new application where it is designed in at an early stage

### SPECIFICATIONS

MODEL	WLFN2
Rated capacity (R.C.)	0.5, 1, 1.5, 2.5, 4, 8, 10(Ton/Rope)
Rated output (R.O.)	Aprr. 1.0mV/V
Compensated temperature range	-10 ~ 40 °C
Operating temperature range	-20 ~ 70 °C
Terminal input resistance	350 Ohms ±3.5 Ohms
Terminal output resistance	350Ohms ±5 Ohms
Electrial connection	∅ 5mmx5m(22AWG x 4Core Shielded)
Protection class	meets IP 64
Safety overload	300% R.C



### ORDERING INFORMATION

#### WLFN2- 1T

MODEL CAPACITY  
1,2,5,4,10T

### WIRING INFORMATION

RED : EXC. (+) WHITE : EXC. (-)  
GREEN : SIG. (+) BLUE : SIG. (-)  
BARE : GND

Dimension-mm

Rated Capacity	C	DT	H	T	W	∅D Wire rope	Weight (kg)
0.5t, 1t	60	15.5	140	20	34	∅ 6 ~ ∅ 8	1.0
1.5t	70	21	160	26	42	∅ 10 ~ ∅ 14	1.9
2.5t	75	25	180	32	50	∅ 14 ~ ∅ 20	2.9
4t	90	35	210	32	62	∅ 18 ~ ∅ 28	5.2
8t, 10t	100	45	260	44	88	∅ 25 ~ ∅ 35.5	12.0