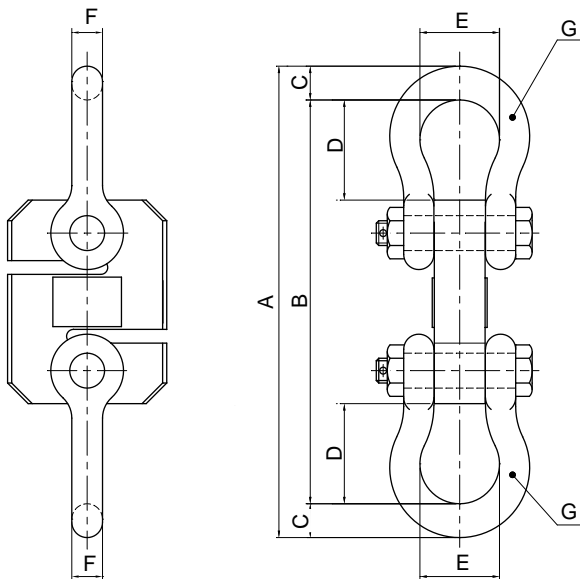


Model TLC Series

Tension Load Cell (500kg ~ 5t)



The model TLC series, designed for tension measurement and weighing applications, are reliable and easy to install .

- Durable design provide high safety.
(Ultimate overload rating 500 %)
- Alloy tool steel construction for high accuracy.
- Electroless nickel plated for corrosion resistance.

SPECIFICATIONS

MODEL	TLC
Rated capacity (R.C.)	500Kg, 1t, 2t, 3t, 5t
Rated output(R.O.)	1.5mV/V \pm 0.25%
Non-linearity	\leq 0.03% R.O.
Hysteresis	\leq 0.03% R.O.
Non-repeatability	\leq 0.03% R.O.
Creep error	\leq 0.03% in 20min.
Zero balance	\leq 1% R.O.
Compensated temperature range	-10 ~ 70°C
Operating temperature range	-20 ~ 80°C
Temp. effect on rated output	\leq 0.05% LOAD/10°C
Temp. effect on zero balance	\leq 0.05% R.O./10°C
Terminal input resistance	350 Ohms \pm 3.5 Ohms
Terminal output resistance	350 Ohms \pm 5 Ohms
Insulation resistance (Min.)	2000 MOhms at 50V DC
Excitation Voltage	10V(Recommended) /15V(Maximum)
Electrical connection	\varnothing 9mmx6m(22AWG x 4Core Shielded)
Protection class	meets IP 67
Safe overload	250% R.C
Ultimate overload	500% R.C

ORDERING INFORMATION

TLC - 3t

MODEL	CAPACITY
	500Kg, 1t, 2t, 3t, 5t (4.90, 9.8, 19.6, 29.4, 49.0KN)

WIRING INFORMATION

RED	: EXC. (+)	WHITE	: EXC. (-)
GREEN	: SIG. (+)	BLUE	: SIG. (-)
BARE	: GND		

Dimension-mm

Rated Capacity	A	B	C	D	E	F	G	Weight (kg)
500kg~1t(4.90KN~9.8KN)	259	224	17.5	60	43	16	"Crosby" Shackle G-2130, 5/8	4.0
2t ~ 5t (19.6KN~49.0KN)	342.8	293.6	24.6	72.8	58	22.4	"Crosby" Shackle G-2130, 7/8	8.3

* Specifications are subject to change without notice

JULY.2001