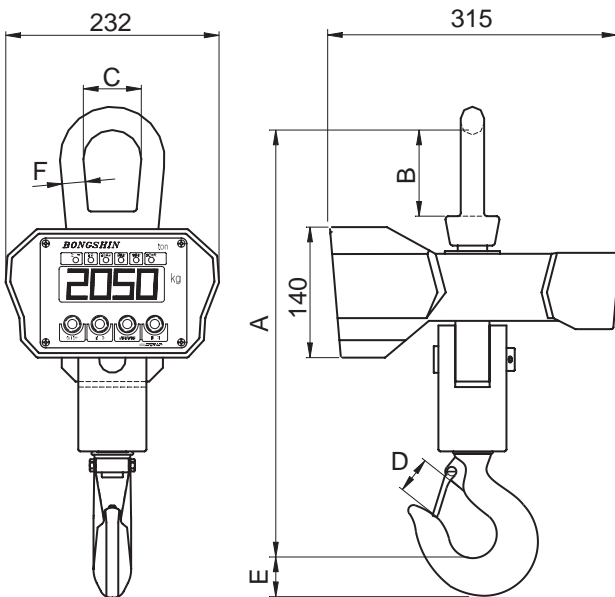


## HOOK ACE

Crane Scales  
from 500Kg to 5 tonne



### For:

- Chemical and steel industries
- Batching operations
- Mining industry
- Shipping operation
- Food processing plants
- Meat packing
- Test facilities
- Foundries
- Automobile manufacturing

### Features:

- Lightweight portable scale
- Weatherproof, cast aluminium housing
- 100 hours running rechargeable battery ( D series)
- 60 hours running rechargeable battery ( E series)
- Sturdy swivel hook
- ON/OFF, ZERO, NET/GROSS, TARE push button switch
- Remote ON/OFF/CONTINUATION, ZERO hand held transmitter

## SPECIFICATIONS

	LCBD	LCBE
Display	5 digit 7 segment LCD with backlight(25mm high)	5 digit 7 segment LED(25mm high)
Battery life	100 hours between recharging	60 hours between recharging
Accuracy	Plus or minus 0.1% of rated load	
Power	6 volt lead-acid rechargeable battery	
Recharging time	Appr. 8 hours	
Operating temperatures	-20°C ~ 60°C	
Enclosure	Cast aluminium IP54(standard),IP64(option)	
Safe overload	200% of rated capacity	
Ultimate overload	400% of rated capacity	
Hook	360 swivel hook with thrust bearing	
Pushbutton switches	(1) ON/OFF : ON/OFF and activates 5 minutes automatic shut-off (2) ZERO : Up to 2% of rated capacity (To be zero alarmed with excess of 2% rated capacity) (3) NET/GROSS : Net weight, Gross weight (4) TARE : Up to 100% of rated capacity	
Annunciators	Continuation, Zero, Zero Alarm, Net, Gross, Low battery	
Accessories	(1) Battery, 6 volt rechargeable (2) Battery charger (Free voltage, AC85~260V) (3) Trust bearing swivel hool.	

### Dimension-mm

Model No.	R.C	Resolution	A	B	C	D	E	F	Net Weight	Shipping Weight
500-LCBD(LCBE)	500kgf	0.2kgf	335	67	50	31	29	19	12kg	17kg
1000-LCBD(LCBE)	1tf	0.5kgf								
2000-LCBD(LCBE)	2tf	1kgf	470	89	63	43	46	25.4	10kg	29kg
3000-LCBD(LCBE)	3tf	1kgf								
5000-LCBD(LCBE)	5tf	2kgf								

\* Specifications are subject to change without notice

MAY.2000