

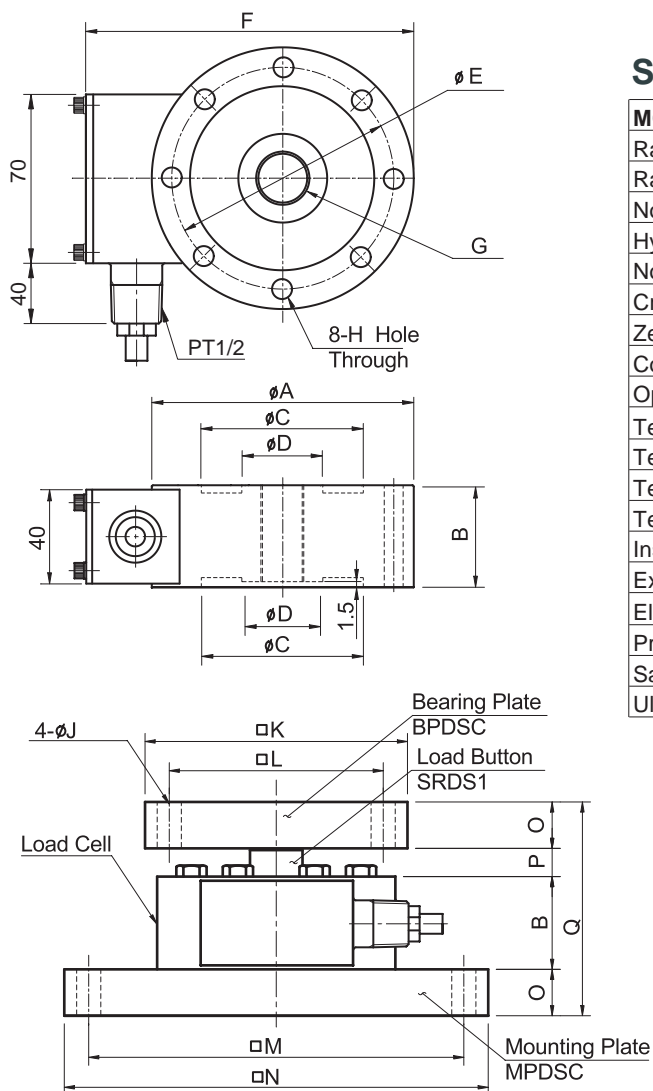
## Model DSCK Series

Compression & Tension  
Low Profile Load Cell (1tf ~ 20tf)



The model DSCK is an ultra low profile tension and compression shear type load cell suited to precision applications where headroom and side loads are a problem. All units are machined from a solid billet of tool steel and sealed with welded diaphragms.

- Hermetically sealed
- High rated output (3mV/V)
- Insensitive to side load
- Low profile



### SPECIFICATIONS

MODEL	DSCK
Rated capacity (R.C.)	1,2,3,5,10,20 tf
Rated output (R.O.)	3mV/V ± 0.3%
Non-linearity	≤ 0.05% R.O.
Hysteresis	≤ 0.05% R.O.
Non-repeatability	≤ 0.02% R.O.
Creep error	≤ 0.03% in 20min.
Zero balance	≤ 1% R.O.
Compensated temperature range	-10 ~ 40 °C
Operating temperature range	-20 ~ 70 °C
Temp. effect on rated output	≤ 0.03% LOAD/10 °C
Temp. effect on zero balance	≤ 0.03% R.O./10 °C
Terminal input resistance	700 Ohms ± 10 Ohms
Terminal output resistance	700 Ohms ± 10 Ohms
Insulation resistance (Min.)	2000 MOhms at 50V DC
Excitation voltage	10V (Recommended), 18V (Maximum)
Electrical connection	∅ 9mm x 3m (22AWG x 4Core Shielded)
Protection class	meets IP 67
Safe overload	150% R.C.
Ultimate overload	300% R.C.

### ORDERING INFORMATION

#### DSCK - 5T

MODEL CAPACITY  
1,2,3,5,10,20tf

### WIRING INFORMATION

RED : EXC. (+) WHITE : EXC. (-)  
GREEN : SIG. (+) BLUE : SIG. (-)  
BARE : GND

Dimension-mm

Rated Capacity	A	B	C	D	E	F	G	H	J	K	L	M	N	O	P	Q	Load Button	Mounting Plate	Bearing Plate	Weight (kg)
1-5tf (9.81KN ~ 49.03KN)	118	46	86	34	100	153	M24x2P	9	12	130	106	185 x 105	210 x 130	23	14	106	SRDS1	MPDSC1	BPDSC1	4
10tf (98.07 KN)	138	60	98	50	116	180	M39x2P	11	14	160	126	125 x 125	160 x 160	30	20	140	SRDS2	MPDSC2	BPDSC2	6
20tf (196.1 KN)	186	70	133	73	154	228	M50x2P	14	14	200	150	160 x 160	200 x 200	30	40	170	SRDS3	MPDSC3	BPDSC3	12

\* Specifications are subject to change without notice

MAY.2000