

Model CSDH Series

Compression

Low Profile Load Cell(30tf ~ 100tf)

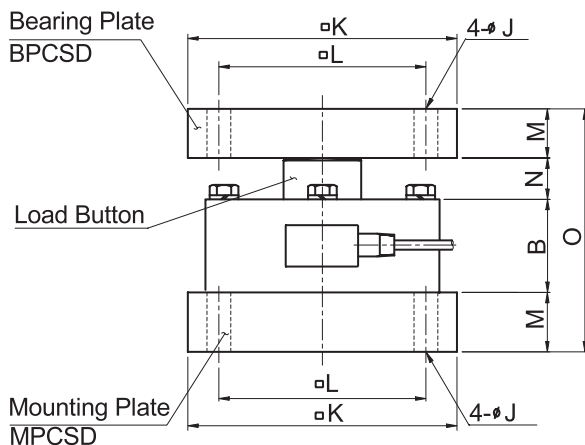
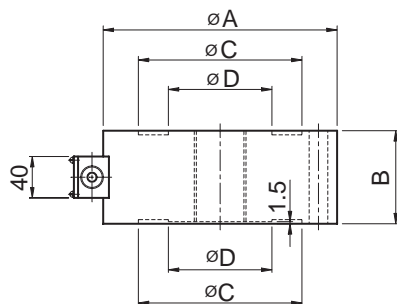
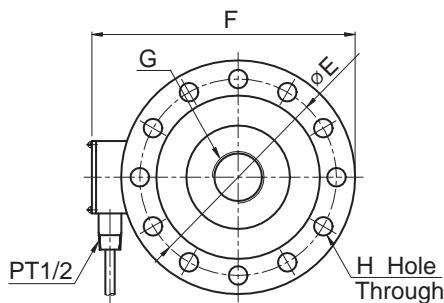


The model CSDH is an ultra low profile compression shear type load cell suited to precision applications where headroom and side loads are a problem. All units are machined from a solid billet of tool steel and sealed with welded diaphragms.

- Hermetically sealed
- High rated output(3mV/V)
- Low profile

SPECIFICATIONS

MODEL	CSDH
Rated capacity (R.C.)	30,50,100tf
Rated output (R.O.)	3mV/V \pm 0.3%
Non-linearity	\leq 0.1% R.O.
Hysteresis	\leq 0.1% R.O.
Non-repeatability	\leq 0.05% R.O.
Creep error	\leq 0.03% in 20min.
Zero balance	\leq 1% R.O.
Compensated temperature range	-10 ~ 70 °C
Operating temperature range	-20 ~ 80 °C
Temp. effect on rated output	\leq 0.03% LOAD/10
Temp. effect on zero balance	\leq 0.03% R.O./10
Terminal input resistance	350 Ohms \pm 3.5 Ohms
Terminal output resistance	350 Ohms \pm 5 Ohms
Insulation resistance (Min.)	2000 MOhms at 50V DC
Excitation voltage	10V(Recommended), 15V(Maximum)
Electrical connection	\varnothing 9mmx3m(22AWG x4Core Shielded)
Protection class	meets IP 67
Safe overload	150% R.C
Ultimate overload	300% R.C



ORDERING INFORMATION

CSDH - 30T

MODEL CAPACITY
30T,50T,100tf

WIRING INFORMATION

RED : EXC. (+) WHITE : EXC. (-)
GREEN : SIG. (+) BLUE : SIG. (-)
BARE : GND

Dimension-mm

Capacity	A	B	C	D	E	F	G	H	J	K	L	M	O	P	Bearing Plate	Mounting Plate	Weight (Kg)
30, 50tf(294.2,490.3KN)	226	90	158	100	190	268	M50x 2P	12- \varnothing 18	23	260	200	47.5	40	225	BPCSD-1	MPCSD-1	23
100tf(980.7KN)	306	110	218	164	260	350	M76x 3P	16- \varnothing 23	27	360	280	57.5	50	275	BPCSD-2	MPCSD-2	48

* Specifications are subject to change without notice

MAY.2000