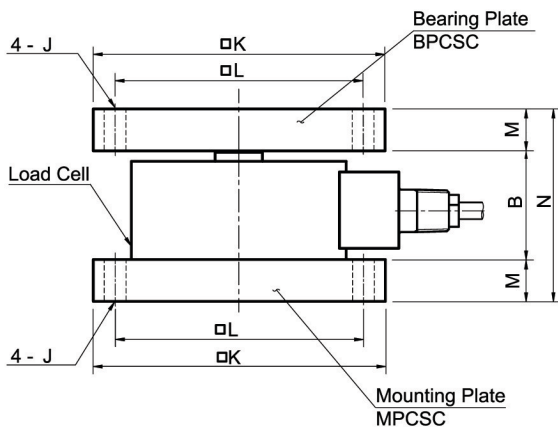
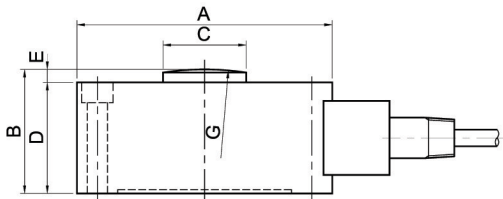
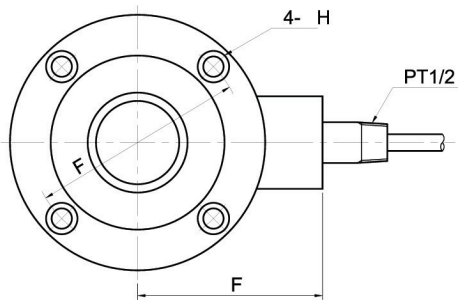


Model CSCK Series

Compression

Low Profile Load Cell(10t ~ 100t)



Dimension-mm

Rated Capacity	A	B	C	D	E	F	G	H	J	K	L	M	N	Weight (kg)
10t (98.07kN)	118	53	25	46	7	90	R150	9	12	130	106	23	99	5
20t (196.1 kN)	138	67	45	60	7	100	R150	11	14	160	130	29	125	8
30,50t (294.2, 490.3 kN)	186	80	55	70	10	125	R250	14	18	210	170	35	150	15
100t (980.7 kN)	226	100	70	90	10	145	R300	18	23	260	210	48	196	27

The model CSCK is designed for heavy duty weighing applications and testing systems.

All units are machined from a solid billet and sealed with welded diaphragms.

- Hermetically sealed
- High rated output(3mV/V)
- Insensitive to side load
- Low profile

SPECIFICATIONS

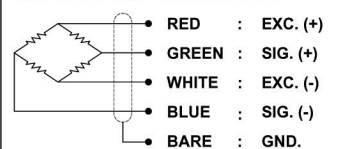
MODEL	CSCK
Rated capacity (R.C.)	10, 20, 30, 50, 100 t
Rated output (R.O.)	3mV/V – 0.005
Non-linearity	≤ 0.05% R.O.
Hysteresis	≤ 0.05% R.O.
Non-repeatability	≤ 0.02% R.O.
Creep error	≤ 0.03% in 20min.
Zero balance	≤ 1% R.O.
Compensated temperature range	-10 ~ 70 °C
Operating temperature range	-20 ~ 80 °C
Temp. effect on rated output	≤ 0.03% LOAD/10 °C
Temp. effect on zero balance	≤ 0.03% R.O./10 °C
Terminal input resistance	350 Ohms –3.5 Ohms
Terminal output resistance	350 Ohms –5 Ohms
Insulation resistance (Min.)	2000 MOhms at 50V DC
Excitation voltage	10V(Recommended), 15V(Max.)
Electrial connection(22AWG x 4C)	7mmx6m(standard), 10m(option)
Protection class	meets IP 67
Safe overload	150% R.C
Ultimate overload	300% R.C

ORDERING INFORMATION

CSCK - 20T

MODEL CAPACITY
10, 20, 30, 50, 100t

WIRING INFORMATION



	10t	20t	30, 50t	100t
Mounting Plate	MPCSC1	MPCSC2	MPCSC3	MPCSC4
Bearing Plate	BPCSC1	BPCSC2	BPCSC3	BPCSC4