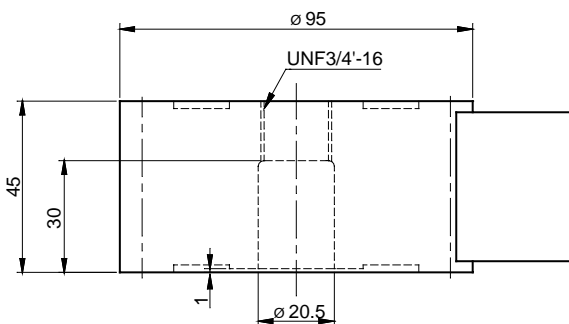
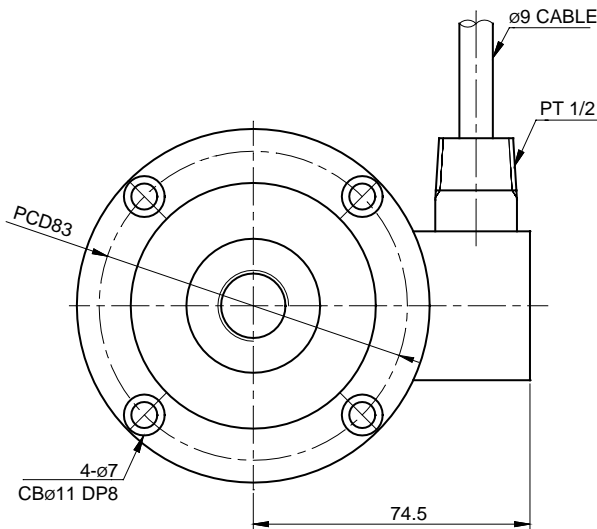


## Model CS50 Series

Compression  
Low Profile Load Cell



The model CS50 is an low profile compression load cell suited to precision applications where headroom and side loads are a problem. All units are machined from a solid billet of stainless steel and sealed with welded diaphragms.

- 17-4PH Stainless steel construction.
- Fully welded seal with stainless steel cover for hostile environment applications.
- Compact size with low profile.

### SPECIFICATIONS

MODEL	CS50
Rated capacity (R.C.)	4536kg, 9072kg
Rated output(R.O.)	2.2mV/V ± 0.25%
Non-linearity	≤ 0.1% R.O.
Hysteresis	≤ 0.05% R.O.
Non-repeatability	≤ 0.03% R.O.
Creep error	≤ 0.03% in 20min.
Zero balance	≤ ±1% R.O.
Compensated temperature range	-10 ~ 70°C
Operating temperature range	-20 ~ 80°C
Temp. effect on rated output	≤ 0.03% LOAD/10°C
Temp. effect on zero balance	≤ 0.03% R.O./10°C
Terminal input resistance	350 Ohms ±5 Ohms
Terminal output resistance	350 Ohms ±5 Ohms
Insulation resistance	5000 MOhms Bridge to ground 2000 MOhms Cable shield to ground
Excitation Voltage	12V(Recommended) /20V(Maximun)
Electrical connection	ø9mmx10m(22AWG x 4Core Shielded)
Protection class	meets IP 67
Safe overload	150% R.C

#### ORDERING INFORMATION

##### CS50 - 9072

MODEL	CAPACITY
CS50	4536kg, 9072kg

#### WIRING INFORMATION

RED	: EXC. (+)	WHITE	: EXC. (-)
GREEN	: SIG. (+)	BLUE	: SIG. (-)
BARE	: GND		