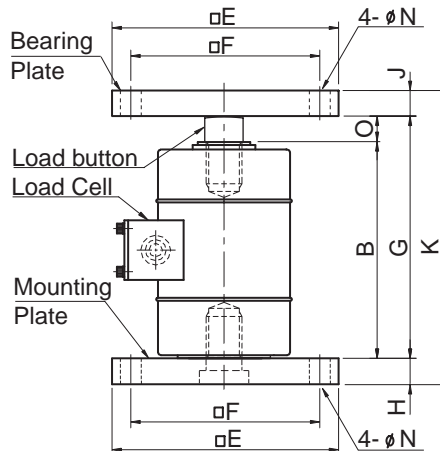
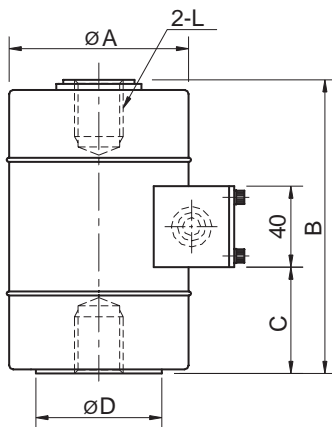
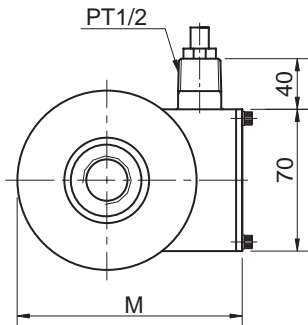


## Model CR Series

Compression Load Cell (200Kgf ~ 20tf)  
Canister Type



The CR series load cells are designed for measuring compressive loads up to 20 tonnes are particularly suited for industrial application where optimum precision is needed. Featuring high-alloy tool steel construction for excellent repeatability, the unique element design provides high rated output (3mV/V) with low deflection. It is recommended that the load cell should incorporate the flat, solid, machined bearing plate and mounting plate to provide the highest accuracy.

- Hermetically sealed
- Robust high capacity design
- High rated output (3mV/V)

### SPECIFICATIONS

MODEL	CRU	CRC	CRD
Rated capacity (R.C.)	200, 500Kgf, 1, 2, 3, 5, 10, 20tf		
Rated output (R.O.)	3mV/V $\pm$ 0.1%		3mV/V $\pm$ 0.2%
Non-linearity	$\leq$ 0.02% R.O.	$\leq$ 0.05% R.O.	$\leq$ 0.1% R.O.
Hysteresis	$\leq$ 0.02% R.O.		$\leq$ 0.1% R.O.
Non-repeatability	$\leq$ 0.02% R.O.		$\leq$ 0.1% R.O.
Creep error	$\leq$ 0.02% in 20min.		$\leq$ 0.1% in 20min.
Zero balance	$\leq$ 1% R.O.		
Compensated temperature range	-10 ~ 70 °C		
Operating temperature range	-20 ~ 80 °C		
Temp. effect on rated output	$\leq$ 0.03% LOAD/10 °C		$\leq$ 0.05% LOAD/10 °C
Temp. effect on zero balance	$\leq$ 0.03% R.O./10 °C		$\leq$ 0.05% R.O./10 °C
Terminal input resistance	350 Ohms $\pm$ 3.5 Ohms		
Terminal output resistance	350 Ohms $\pm$ 5 Ohms		
Insulation resistance (Min.)	5000 MOhms at 50V DC		2000 MOhms at 50V DC
Excitation Voltage	10V(Recommended), 15V(Maximum)		
Electrical connection	$\varnothing$ 9mmx3m (22AWG x 4Core Shielded)		
Protection class	meets IP 67		
Safe overload	150% R.C		
Ultimate overload	300% R.C		

### ORDERING INFORMATION

**CRC - 5T**

MODEL	CAPACITY
CRU	200,500Kgf
CRC	1.2.3.5.10.20tf
CRD	

### WIRING INFORMATION

RED	: EXC. (+)	WHITE	: EXC. (-)
GREEN	: SIG. (+)	BLUE	: SIG. (-)
BARE	: GND		

### Dimensions-mm

Rated Capacity	A	B	C	D	E	F	G	H	J	K	L	M	N	O	Bearing Plate	Mounting Plate	Load Button	Weight (kg)
200~300Kgf (1961N ~ 2942N)	88	110	33	34	100	78	119	15	15	149	M12 x 1.25	120	8	9	BPCR1	MPCR1	LBCR1	2.8
500Kgf~ 1tf (4903N ~ 9807N)	88	106					115			145	D.13							
2~5tf (19.61KN ~ 49.03KN)	88	145	52.5	66	130	106	161	24	24	209	M24 x 2	120	12	16	BPCR2	MPCR2	LBCR2	4.5
10tf (98.07KN)	138	210	70	102	160	126	230	30	30	290	M39 x 2	171	14	20	BPCR3	MPCR3	LBCR3	12.5
20t (196.1KN)	164	283	120	120	200	150	305	30	30	265	M50 x 2	189	14	20	BPCR4	MPCR4	LBCR4	27.4

\* Specifications are subject to change without notice

MAY.2000