

Model CCDM/CCCM Series Compression Load Cell (10t ~ 500t) Canister Type

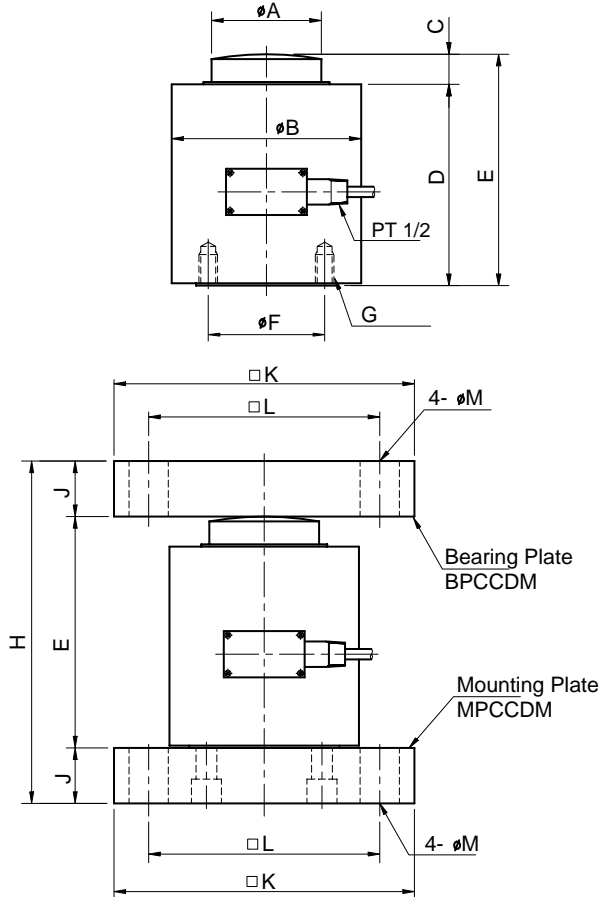


The CCDM/CCCM series of single column, low profile and compact, hermetically sealed design provides small deflection(0.2mm Max) and trouble-free operation. These load cells designed for rugged industrial use as compression load cell and meet the needs of low cost weighing and force measurement systems.

- Insensitive to side load
- Robust high capacity design
- High alloy steel construction

SPECIFICATIONS

MODEL	CCDM	CCCM
Rated capacity (R.C.)	10, 20, 30, 50, 100, 200, 300, 500 t	
Rated output (R.O.)	1.5mV/V ± 0.5%	
Non-linearity	≤ 0.1% R.O.	≤ 0.05% R.O.
Hysteresis	≤ 0.1% R.O.	≤ 0.05% R.O.
Non-repeatability	≤ 0.1% R.O.	≤ 0.05% R.O.
Creep error	≤ 0.1% in 20min.	≤ 0.05% in 20min.
Zero balance	≤ 1% R.O.	
Compensated temperature range	-10 ~ 40 °C	
Operating temperature range	-20 ~ 70 °C	
Temp. effect on rated output	≤ 0.03% LOAD/10°C	≤ 0.03% LOAD/10°C
Temp. effect on zero balance	≤ 0.03% R.O./10	≤ 0.03% R.O./10
Terminal input resistance	350 Ohms ± 3.5 Ohms	
Terminal output resistance	350 Ohms ± 5 Ohms	
Insulation resistance (Min.)	2000 MOhms at 50V DC	
Excitation voltage	10V(Recommended), 18V(Maximum)	
Electrical connection	∅ 9mmx5m(22AWG x 4Core Shielded)	
Protection class	meets IP 67	
Safe overload	150% R.C	
Ultimate overload	300% R.C	



Dimensions-mm

Rated Capacity	A	B	C	D	E	F	G	H	J	K	L	M	Bearing Plate	Mounting Plate	Loadcell Weight(Kg)
10t (98.07KN)	32	88.5	13.5	116.5	130	60	4-M8x1.25P	180	25	150	106	22	BPCCDM1	MPCCDM1	3.0
20t (196.1KN)	32	88.5	13.5	116.5	130	60	4-M8x1.25P	180	25	150	106	22	BPCCDM1	MPCCDM1	3.3
30t (294.2KN)	32	88.5	13.5	116.5	130	60	4-M8x1.25P	180	25	150	106	22	BPCCDM1	MPCCDM1	3.5
50t (490.3KN)	55	88.5	20	136	156	60	4-M8x1.25P	206	25	200	148	26	BPCCDM2	MPCCDM2	4.7
100t (980.7KN)	55	164	20	180	200	90	4-M12x1.75P	280	40	260	200	26	BPCCDM3	MPCCDM3	14.3
200t (1961KN)	95	164	20	180	200	100	4-M16x2P	300	50	260	200	33	BPCCDM3	MPCCDM3	18.3
300t (2942KN)	95	164	20	230	250	100	4-M16x2P	350	50	260	200	33	BPCCDM3	MPCCDM3	27.9
500t (4903KN)	120	212	25	244	269	130	4-M16x2P	399	65	300	220	39	BPCCDM4	MPCCDM4	49.9

ORDERING INFORMATION

CCDH - 10T

MODEL	CAPACITY
CCCM	10, 20, 30, 50, 100, 200, 300, 500 t
CCDM	

WIRING INFORMATION

RED	: EXC. (+)	WHITE	: EXC. (-)
GREEN	: SIG. (+)	BLUE	: SIG. (-)
BARE	: GND		

* Specifications are subject to change without notice