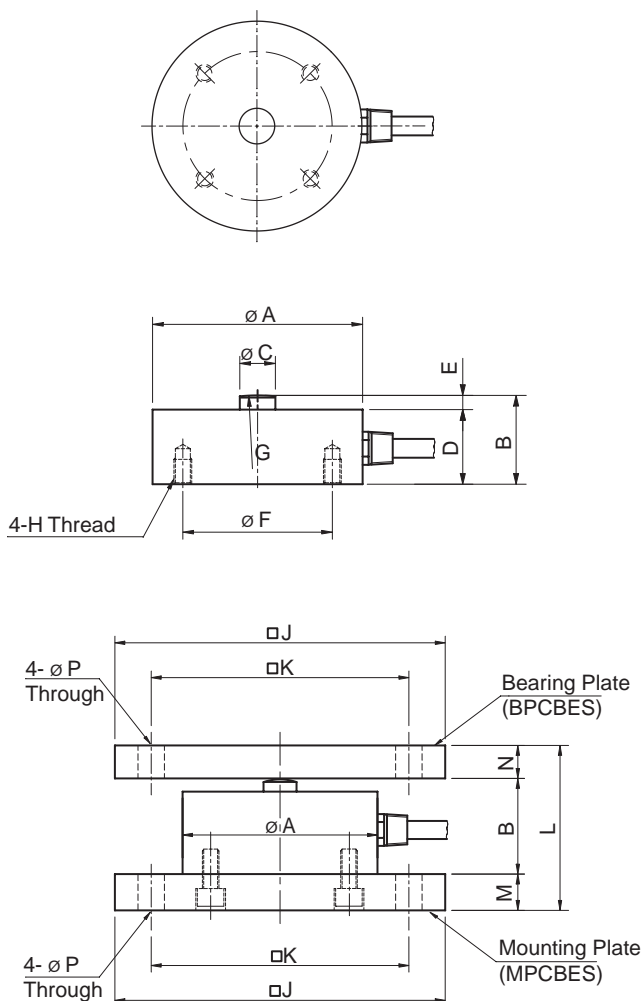


## Model CBES Series

Compression  
Low Profile Load Cell (50Kgf ~ 20tf)



The model CBES miniature type is designed for low profile compression service. Its compact size makes the cell ideal for a wide range of applications including testing & weighing systems.

- 17-4PH Stainless steel construction.
- Fully welded seal with stainless steel cover for hostile environment applications.
- Compact size with low profile.

### SPECIFICATIONS

MODEL	CBES
Rated capacity (R.C.)	50,100,200,500Kgf 1,2,3,5,10,20tf
Rated output(R.O.)	2mV/V ± 0.25%
Non-linearity	≤ 0.15% R.O.
Hysteresis	≤ 0.15% R.O.
Non-repeatability	≤ 0.1% R.O.
Creep error	≤ 0.03% in 20min.
Zero balance	≤ 1% R.O.
Compensated temperature range	-10 ~ 70 °C
Operating temperature range	-20 ~ 80 °C
Temp. effect on rated output	≤ 0.1% LOAD/10 °C
Temp. effect on zero balance	≤ 0.1% R.O./10 °C
Terminal input resistance	700 Ohms ± 10 Ohms
Terminal output resistance	700 Ohms ± 10 Ohms
Insulation resistance (Min.)	2000 MOhms at 50V DC
Excitation Voltage	10V(Recommended) /15V(Maximum)
Electrical connection	(50Kgf ~2tf) ø5mmx3m(22AWG x 4Core Shielded) (3tf ~20tf) ø9mmx5m(22AWG x 4Core Shielded)
Protection class	meets IP 67
Safe overload	150% R.C
Ultimate overload	300% R.C

### ORDERING INFORMATION

**CBES 1T**  
 MODEL CAPACITY  
 50,100,200,500Kgf  
 1,2,3,5,10,20tf

### WIRING INFORMATION

RED : EXC. (+) WHITE : EXC. (-)  
 GREEN : SIG. (+) BLUE : SIG. (-)  
 BARE : GND

### Dimension-mm

Capacity	A	B	C	D	E	LF	G	H	J	N	K	M	P	Bearing plate	Mounting plate	Weight (kg)	
50kgf ~ 2tf (490.3N ~ 19.61KN)	59	25	10	21	4	42	50	M5x0.8P DEPTH 7	100	78	55	15	15	8	BPCBES-1	MPCBES-1	0.35
5tf ~ 10tf (49.03KN ~ 98.07KN)	98	45	20	40	5	72	150	M6x1P DEPTH 8	160	126	105	30	30	14	BPCBES-2	MPCBES-2	2.3
20tf (196.1KN)	118	50	20	45	5	90	250	M8x1.25P DEPTH 15	160	126	110	30	30	14	BPCBES-3	MPCBES-3	3.7