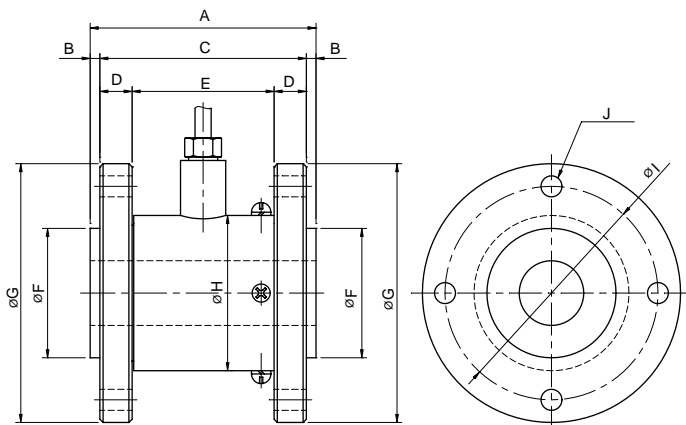


Model BRTL Series

Flanged Type Reaction Torque Transducer
(1kg-m ~ 100kg-m)



The BRTL series, reaction torque transducers, guarantee the high performance comparing to the other in the same class.

- Low deflection.
- Small size.
- Alloy tool steel construction
- High stability and sensitivity.

SPECIFICATIONS

MODEL	BRTL
Rated capacity (R.C.)	1, 2, 5 kgf-m 10, 20, 50, 100 kgf-m
Rated output(R.O.)	1mV/V \pm 1.0%
Non-linearity	\leq 0.5% R.O.
Hysteresis	\leq 0.5% R.O.
Non-repeatability	\leq 0.2% R.O.
Creep error	\leq 0.5% in 20min.
Zero balance	\leq 1% R.O.
Compensated temperature range	-10 ~ 70°C
Operating temperature range	-20 ~ 80°C
Temp. effect on rated output	\leq 0.02% LOAD/10°C
Temp. effect on zero balance	\leq 0.02% R.O./10°C
Terminal input resistance	400 Ohms \pm 20 Ohms
Terminal output resistance	350 Ohms \pm 5 Ohms
Insulation resistance (Min.)	2000 MOhms at 50V DC
Excitation Voltage	10V(Recommended) /15V(Maximum)
Electrical connection	ϕ 5mmx3m(22AWG x 4Core Shielded)
Safe overload	150% R.C
Ultimate overload	300% R.C

ORDERING INFORMATION

BRTL - 50

MODEL CAPACITY
1, 2, 5 kgf-m
10, 20, 50, 100 kgf-m

WIRING INFORMATION

RED : EXC. (+) WHITE : EXC. (-)
GREEN : SIG. (+) BLUE : SIG. (-)
BARE : GND

Dimension-mm

Rated Capacity	A	B	C	D	E	F	G	H	I	J	Weight(kg)
1.0 kgf-m(9.807N-m)	70	3	55	10	44	40	80	48	66	2x 4- ϕ 6.5	1.5
2.0 kgf-m(19.164N-m)	70	3	55	10	44	40	80	48	66	2x 4- ϕ 6.5	1.5
5.0 kgf-m(49.035N-m)	70	3	55	10	44	40	80	48	66	2x 4- ϕ 6.5	1.5
10 kgf-m(98.074N-m)	70	3	55	10	44	40	80	48	66	2x 4- ϕ 6.5	1.5
20 kgf-m(191.64N-m)	86	3	80	15	50	40	98	58	78	2x 6- ϕ 10.5	1.8
50 kgf-m(490.35N-m)	130	5	120	20	80	60	118	58	95	2x 6- ϕ 10.5	2.7
100 kgf-m(980.7N-m)	136	3	130	20	90	60	146	75	115	2x 6- ϕ 14	2.9

* Specifications are subject to change without notice

JULY.2001