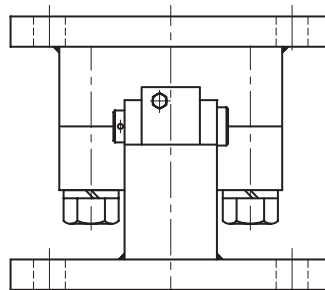
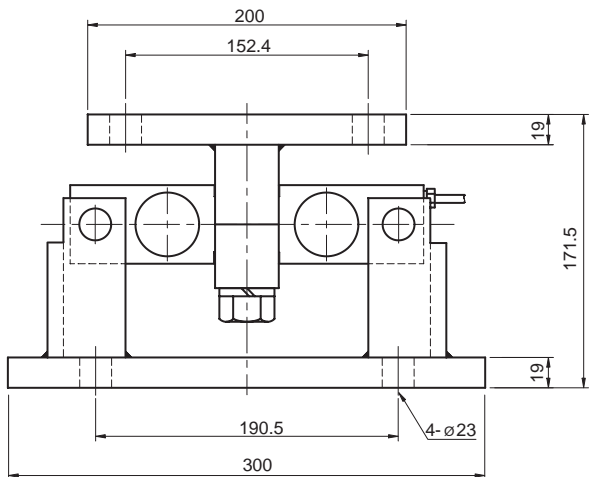
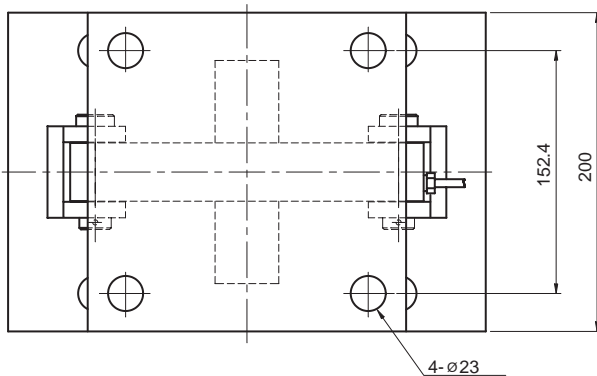


## Weigh Module

### Model BMD Series

Specially Designed For  
Hopper And Tank(5t~15t)



- Mounts directly to the floor or structural support.
- Self checking with provisions for thermal expansion and contraction.
- Fully welded stainless steel loadcell or fully sealed nickel plated load cells.
- Stainless steel or painted steel mounting kit.

### SPECIFICATIONS

MODEL	BMD11, BMD12	BMD21, BMD22
Rated capacity (R.C.)	5, 10, 15t	
Rated output(R.O.)	2mV/V ± 0.25%	3mV/V ± 0.25%
Non-linearity	≤ 0.03% R.O.	
Hysteresis	≤ 0.03% R.O.	
Non-repeatability	≤ 0.03% R.O.	
Creep error	≤ 0.03% in 20min.	
Zero balance	≤ 1% R.O.	
Compensated temperature range	-10 ~ 70°C	
Operating temperature range	-20 ~ 80°C	
Temp. effect on rated output	≤ 0.02% LOAD/10°C	
Temp. effect on zero balance	≤ 0.03% R.O./10°C	
Terminal input resistance	700 Ohms ±10 Ohms	
Terminal output resistance	700 Ohms ±7 Ohms	
Insulation resistance (Min.)	2000 MOhms at 50V DC	
Excitation Voltage	10V(Recommended) /15V(Maximum)	
Electrical connection	ø5mmx6m(22AWG x 4Core Shielded)	
Protection class	meets IP 67	
Safe overload	150% R.C	
Ultimate overload	300% R.C	

### ORDERING INFORMATION

#### BMD 11 - 5 T

##### CAPACITY

5, 10, 15t

##### MOUNTING KIT MATERIAL

- 1- Stainless Steel
- 2- Painted Steel

##### LOAD CELL MODEL

- 1- CDW (Fully welded stainless steel)
- 2- CDBH (Fully sealed nickel plate steel)

### WIRING INFORMATION

RED : EXC. (+)    WHITE : EXC. (-)  
GREEN : SIG. (+)    BLUE : SIG. (-)  
BARE : GND