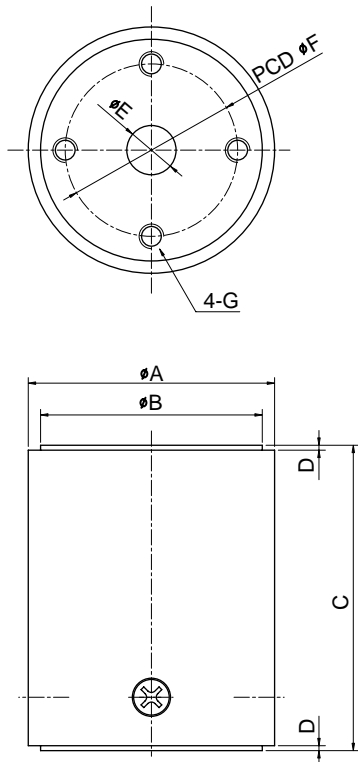


Model BCH Series Compression Load Cell (500Kg ~ 50t)



The BCH series is designed for the load control and the monitoring during the power inserting using the press. It is also designed user-friendly; each 4 threaded holes, on top and bottom, with the flange type are very helpful while the installation.

- Robust high capacity design
- High alloy steel construction
- Rated output (1mV/V)

SPECIFICATIONS

MODEL	BCH
Rated capacity (R.C.)	500Kg, 1, 2, 3, 5, 10, 20, 30, 50t
Rated output (R.O.)	1.0mV/V \pm 1.0%
Non-linearity	\leq 0.5% R.O.
Hysteresis	\leq 0.5% R.O.
Non-repeatability	\leq 0.5% R.O.
Creep error	\leq 0.5% in 20min.
Zero balance	\leq 1% R.O.
Compensated temperature range	-10 ~ 40 °C
Operating temperature range	-20 ~ 70 °C
Temp. effect on rated output	\leq 0.03% LOAD/10 °C
Temp. effect on zero balance	\leq 0.03% R.O./10
Terminal input resistance	700Ohms \pm 10 Ohms
Terminal output resistance	700Ohms \pm 10 Ohms
Insulation resistance (Min.)	2000 MOhms at 50V DC
Excitation voltage	10V(Recommended), 15V(Maximum)
Electrical connection	\varnothing 5mmx3m(22AWG x 4Core Shielded)
Protection class	meets IP 64
Safe overload	150% R.C
Ultimate overload	300% R.C

ORDERING INFORMATION

BCH - 10T

MODEL	CAPACITY
	500Kg, 1, 2, 3, 5, 10, 20, 30, 50t

WIRING INFORMATION

RED : EXC. (+) WHITE : EXC. (-)
 GREEN : SIG. (+) BLUE : SIG. (-)
 BARE : GND

Dimensions-mm

Rated Capacity	A	B	C	D	E	F	G	Loadcell Weight(Kg)
500Kg(4.903KN)	40	35	50	1	10	24	2x4-M4x0.7P-DP8	0.3
1t (9.807KN)	62	55	70	2	18	44	2x4-M5x0.8P-DP8	0.95
2t (19.61KN)	62	55	70	2	18	44	2x4-M5x0.8P-DP8	1.0
3t (29.42KN)	62	55	70	2	18	44	2x4-M5x0.8P-DP8	1.0
5t (49.03KN)	62	55	70	2	18	44	2x4-M5x0.8P-DP8	1.0
10t (98.07KN)	62	55	80	2	18	44	2x4-M5x0.8P-DP8	1.3
20t (196.1KN)	88	80	100	2	20	60	2x4-M8x1.25P-DP12	2.9
30t (294.2KN)	100	90	120	2	20	70	2x4-M8x1.25P-DP15	4.6
50t (490.3KN)	134	120	150	2	30	90	2x4-M10x1.5P-DP16	11

* Specifications are subject to change without notice