

Compact Pressure Transmitter

Analog output

- 0 to 1...50bar
- Dry/Wet media
- Superior Long term Stability
- Temperature Compensated
- Linear Amplified Output
- Excellent Repeatability & Hysteresis
- EMI/RFI Protection

P-50 series Long term minimization of these errors is maintained after millions of full scale overpressure cycles, making electronic set point virtually drift-free. Use of ceramic materials in the sensing element and its mounting provides excellent resistance to most liquids and chemicals. Ruggedness and reliability are also enhanced by a aluminium (or Brass) housing to resist corrosion pressure sealing for media compatibility is provided by selection of welding Sealing type. metal sensing element contains and integral, reliable, solid state, custom hybrid circuit signal conditioner. This circuit is digital interface can be used for a simple PC-controlled calibration procedure, in order to program a set of calibration coefficients into an on-chip EEPROM and without the cost overhead associated with trimming by external devices or a laser.



P-50 Analogue output type

TYPICAL APPLICATIONS

- ✓ Automobiles
- ✓ System air conditioners
- ✓ Industrial refrigerators
- ✓ Air compressors

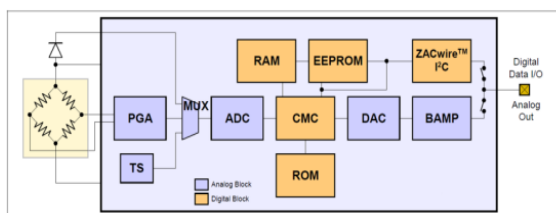
Physical Data [Custom Ranges and Compound Ranges Available]

Gauge Pressure	Unit	Over Pressure	Burst
◆ 1, 2, 4, 6, 10	bar	◆ 3 x F.S.	◆ 5 x F.S.
◆ 15, 20, 35, 50	bar	◆ 2 x F.S.	◆ 3 x F.S.

General SPEC

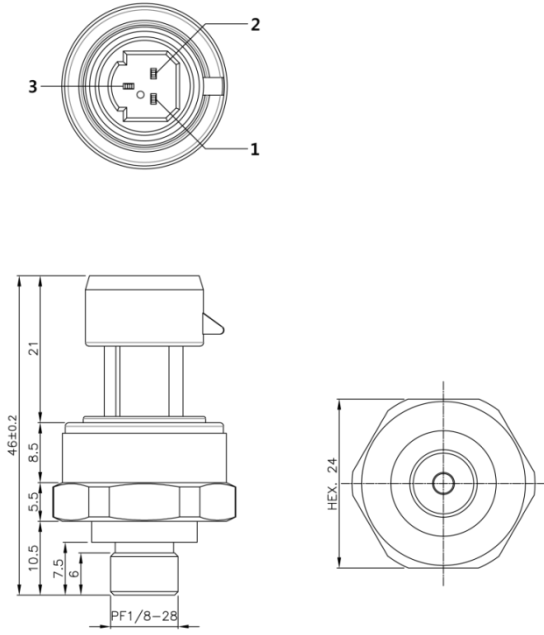
Characteristic	P-50(V)	P-50(A)
Pressure Range	0 to 1...50bar	
Power Supply	[Voltage] 5/12/24VDC	[Current] 12/24VDC
Output	[3 Wire] 0.5 to 4.5VDC 1 to 5VDC 0 to 5VDC	[2 Wire] 4 to 20mA
Operating Temp. Range	-40 to 125°C	
Accuracy	±0.25 %F.S	
Total error band	±2.0% (-20 to 85°C)	
Hysteresis and repeatability	±0.03% typical	
Body Material	Aluminum or Brass	

ASIC Diagram



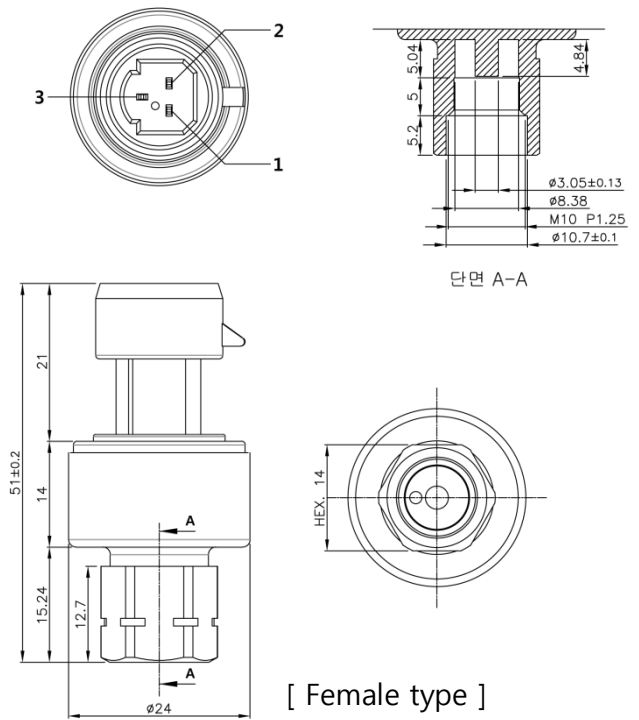
Dimensions (mm)

A-type Nipple



[Male type]

B-type Nipple



[Female type]

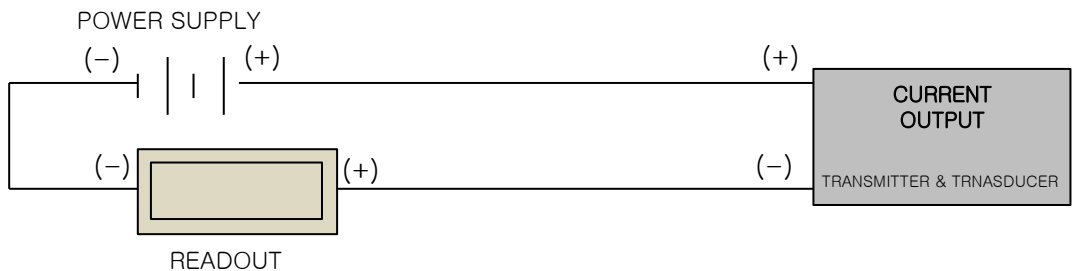
Wire system

Wires	PIN No.	Description
2 wire	1	POWER(+)
	2	GND
3 wire	1	POWER(+)
	2	GND
	3	OUTPUT

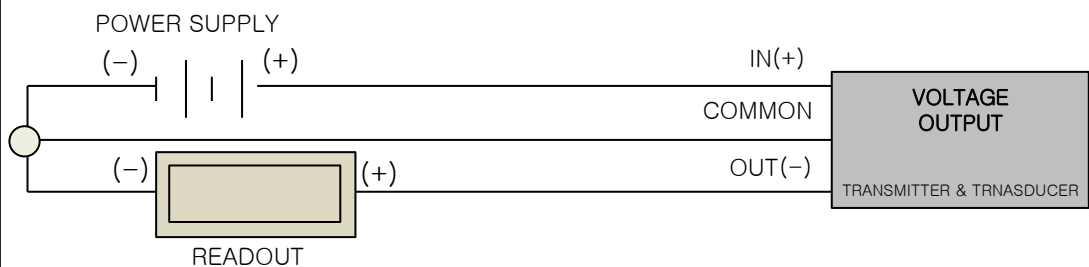
Output Type

Description

CURRENT OUTPUT (2 wire)



VOLTAGE OUTPUT (3 wire)



How to order

P - 50	<input type="checkbox"/>	<input type="checkbox"/>	<input type="checkbox"/>	<input type="checkbox"/>	<input type="checkbox"/>	<input type="checkbox"/>	<input type="checkbox"/>	<input type="checkbox"/>	<input type="checkbox"/>
1) Output type									
Voltage type	V								
Current type	A								
2) Kind of pressure									
Absolute pressure	-----	A							
Gauge pressure	-----	G							
3) Pressure range									
0 to 1 bar	-----	-----	001						
0 to 10 bar	-----	-----	010						
0 to 20 bar	-----	-----	020						
0 to 50 bar	-----	-----	050						
Other on request	-----	-----	Z						
4) Output signal									
0.5 to 4.5 VDC	-----	-----	-----	V1					
0 to 5 VDC	-----	-----	-----	V2					
1 to 5 VDC	-----	-----	-----	V3					
4 to 20mA	-----	-----	-----	A					
Other on request	-----	-----	-----	Z					
5) Supply Voltage									
5 VDC	-----	-----	-----	-----	5				
12 VDC	-----	-----	-----	-----	12				
24 VDC	-----	-----	-----	-----	24				
Other on request	-----	-----	-----	-----	Z				
6) Process connection									
PF1/4"	-----	-----	-----	-----	-----	F14			
PT1/4"	-----	-----	-----	-----	-----	T14			
Other on request	-----	-----	-----	-----	-----	Z			
7) Seal material									
Silicone	-----	-----	-----	-----	-----	-----	S		
NBR	-----	-----	-----	-----	-----	-----	N		
Viton	-----	-----	-----	-----	-----	-----	V		
Other on request	-----	-----	-----	-----	-----	-----	Z		
8) Connection type									
3P connector	-----	-----	-----	-----	-----	-----	-----	3	
Other on request	-----	-----	-----	-----	-----	-----	-----	Z	
9) Wetted MAT' L									
Aluminium	-----	-----	-----	-----	-----	-----	-----	-----	A
Brass	-----	-----	-----	-----	-----	-----	-----	-----	B