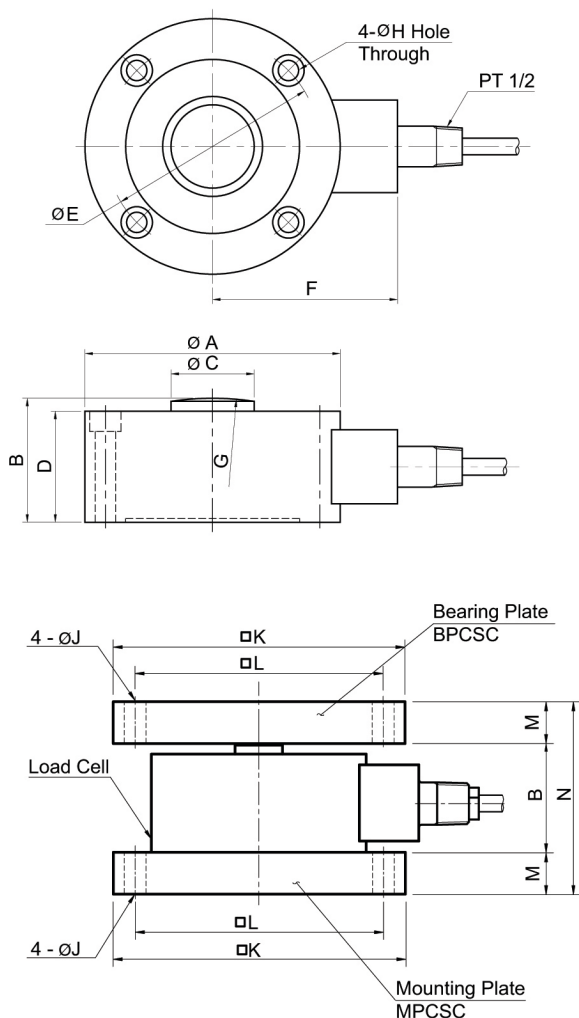
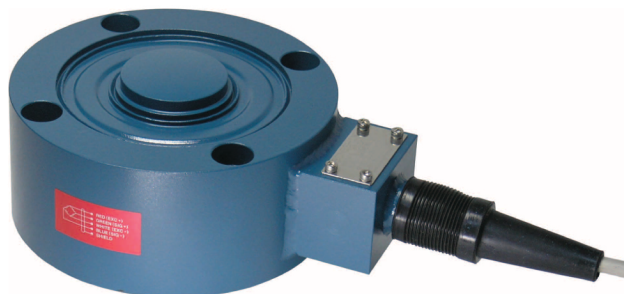


## Model CSCK Series

Compression

Low Profile Load Cell(10t ~ 100t)



The model CSCK is designed for heavy duty weighing applications and testing systems.

All units are machined from a solid billet and sealed with welded diaphragms.

- Hermetically sealed
- High rated output (3mV/V)
- Insensitive to side load
- Low profile

### SPECIFICATIONS

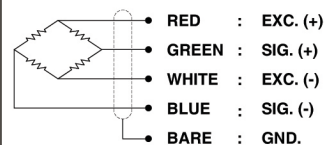
MODEL	CSCK
Rated capacity (R.C.)	10, 20, 30, 50, 100 ton
Rated output (R.O.)	3mV/V ± 0.2%
Non-linearity	≤ 0.05% R.O.
Hysteresis	≤ 0.05% R.O.
Non-repeatability	≤ 0.02% R.O.
Creep error	≤ 0.03% in 20min.
Zero balance	≤ 1% R.O.
Compensated temperature range	-10 ~ 70°C
Operating temperature range	-20 ~ 80°C
Temp. effect on rated output	≤ 0.03% LOAD/10 °C
Temp. effect on zero balance	≤ 0.03% R.O./10 °C
Terminal input resistance	350 Ohms ±3.5 Ohms
Terminal output resistance	350 Ohms ±5 Ohms
Insulation resistance (Min.)	2000 MOhms at 50V DC
Excitation voltage	10V(Recommended), 15V(Max.)
Electrial connection(22AWG x 4C)	∅7mmx6m(standard), 10m(option)
Protection class	meets IP 67
Safe overload	150% R.C
Ultimate overload	300% R.C

### ORDERING INFORMATION

#### CSCK - 20T

MODEL CAPACITY  
10, 20, 30, 50, 100t

### WIRING INFORMATION



	10t	20t	30, 50t	100t
<b>Mounting Plate</b>	MPCSC1	MPCSC2	MPCSC3	MPCSC4
<b>Bearing Plate</b>	BPCSC1	BPCSC2	BPCSC3	BPCSC4

Dimension-mm

Rated Capacity	A	B	C	D	E	F	G	H	J	K	L	M	N	Weight (kg)
10t (98.07kN)	118	53	25	46	102	90	R150	9	12	130	106	23	99	5
20t (196.1 kN)	138	67	45	60	118	100	R150	11	14	160	130	29	125	8
30,50t (294.2, 490.3 kN)	186	80	55	70	158	125	R250	14	18	210	170	35	150	15
100t (980.7 kN)	226	100	70	90	190	145	R300	18	23	260	210	48	196	27